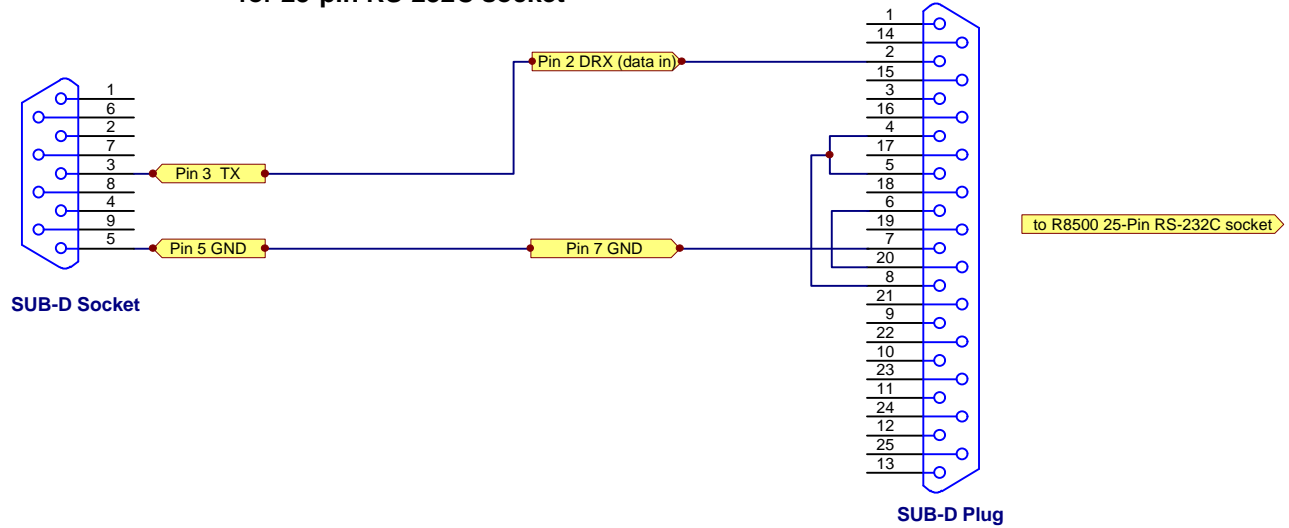
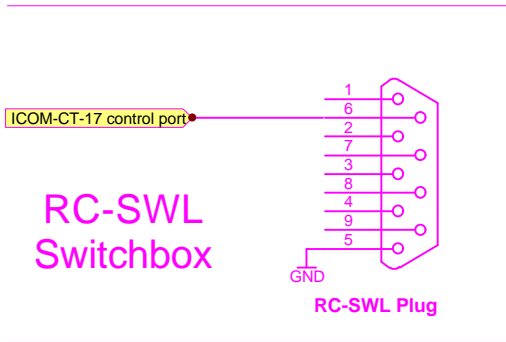


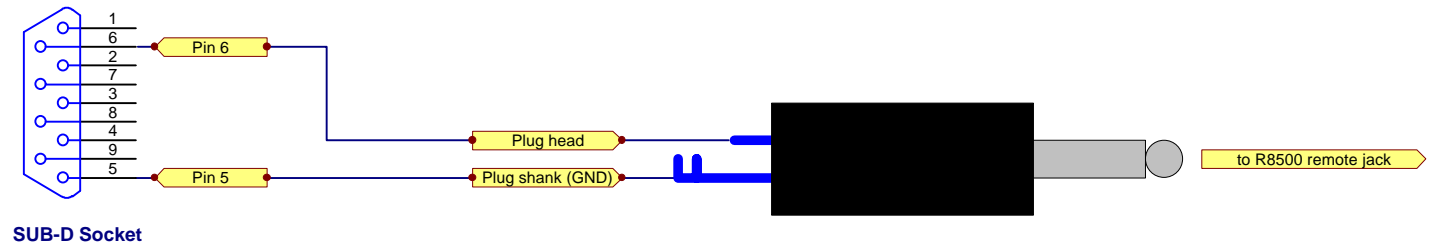
for 25-pin RS-232C socket



you can choose between 2 sockets, but only one to the time



or for CI-V CT17 remote jack



		<b>CABLE- AND JUNCTIONS Service</b>	
WORKFILE: CABRC10A			
Switchmodul: <b>RC-SWL</b>	receiver type: <b>ICOM IC-R8500</b>	date: <b>01.09.98</b>	
Intern Info: for RadioCom receiver control			